



# AZZURRA

## LIDO INWALL SLM BATH OR SHOWER

### TECHNICAL SPECIFICATIONS



**Description :**

Bath or shower mixer with concealed face plate seal

**Model No:** 3321880240

**Cartridge:** Kerox Ceramic Disc 40mm

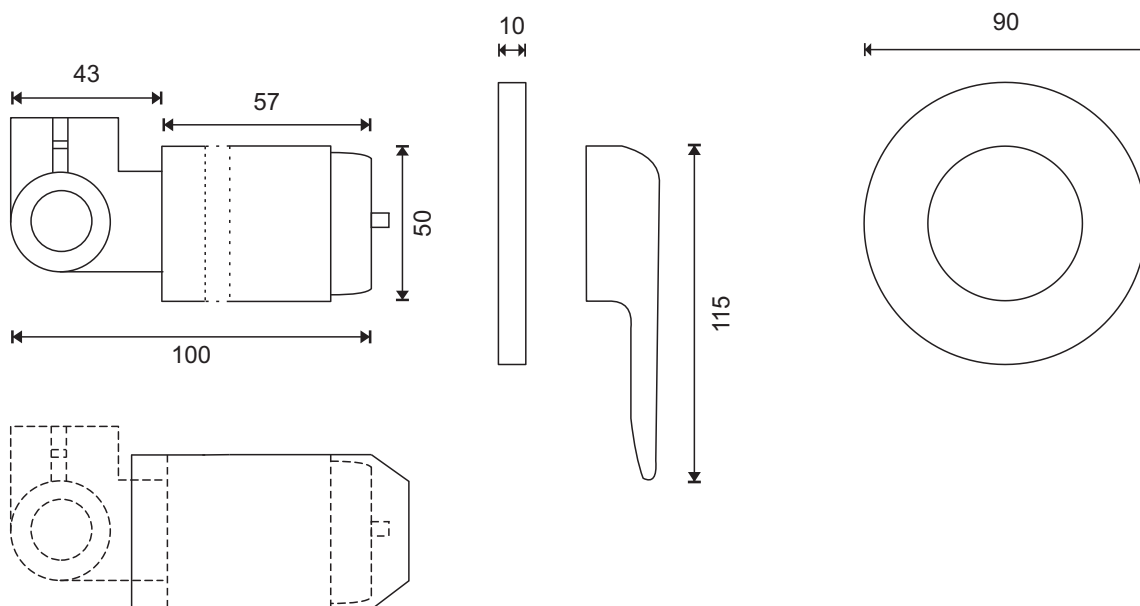
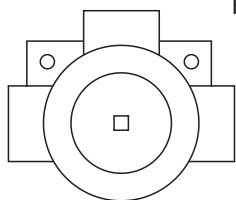
**Finish:** Polished chrome

**Weight:** 1kg

**Warranty:** Refer to Website

Catalogue & technical specifications available at [www.azzurra.com.au](http://www.azzurra.com.au)

Fixing lugs for ease of installation



Do not throw away. Protective shield used during construction

